

Quick Start Guide

The NEO SERIES® libraries come preconfigured for easy setup. Follow these steps to install and connect them.

IMPORTANT: Be sure to register your product on the Overland Storage web site to activate your warranty.

Unpacking

Carefully unpack and verify that you have all the parts:

- NEO SERIES tape library
- Rack rail kit
- NEO Accessory Kit which includes:
 - Power cords, SCSI cables, and terminator
 - Rack template
 - *NEO SERIES Documentation & Software CD*
 - This quick install guide

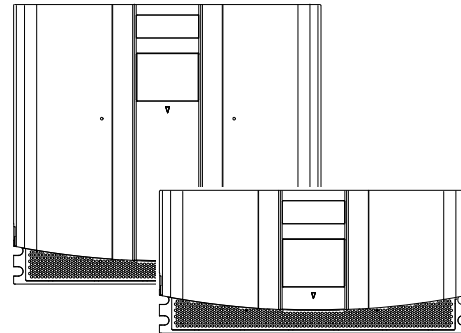


Figure 1. NEO 2000 and NEO 4000

Electrostatic Discharge Information

A discharge of static electricity can damage micro-circuitry or static-sensitive devices. To help prevent Electrostatic Discharge (ESD), observe standard ESD precautions.

Installing Tabletop Libraries

NEO SERIES tabletop libraries require no mechanical assembly for mounting (see Figure 2).

Place the library on a stable, horizontal surface. Ensure the cooling grills at the front and the fans at the rear of the library are not obstructed. Allow 12 inches (30.4cm) of clearance at the front and 6 inches (15.2cm) at the rear of the units for adequate cooling.

Continue with “Cabling” on page 3 to complete your tabletop setup.

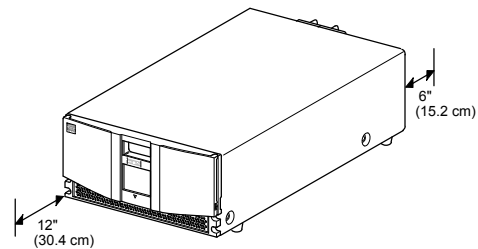


Figure 2. Tabletop Library Clearances

Installing Rack-Mounted Libraries

Rail Kit Installation

For rack-mounted models, you must first install the rail kit provided using the template from the Accessory Kit.



WARNING: It is recommended that a mechanical lifter (or at least two people) be used to prevent injury during rack installation or removal. Also, use care to prevent accidental tipping of the unit or rack.



CAUTION: Start at the bottom of a rack (or the top of the last mounted component) to ensure rack stability.

NOTE: Do not remove the front door packing materials until the library is in the rack.

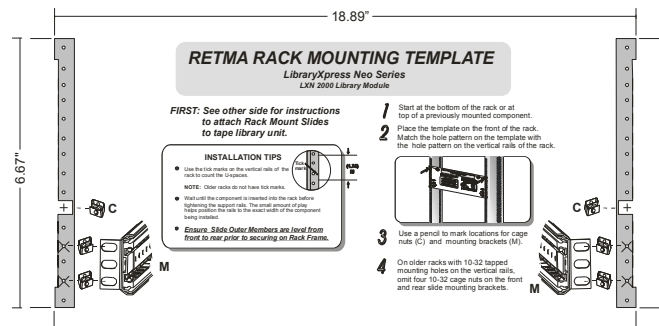


Figure 3. NEO 2000 Rack Mounting Template

1. Ensure you have adequate rack space available:
 - NEO 2000 requires 8.75 in. (22.25cm) nominal (5U)
 - NEO 4000 requires 17.5 in. (44.50cm) nominal (10U)

- Using the **template** (Figure 4), mark the location of the mounting hardware on the RETMA rack rails:

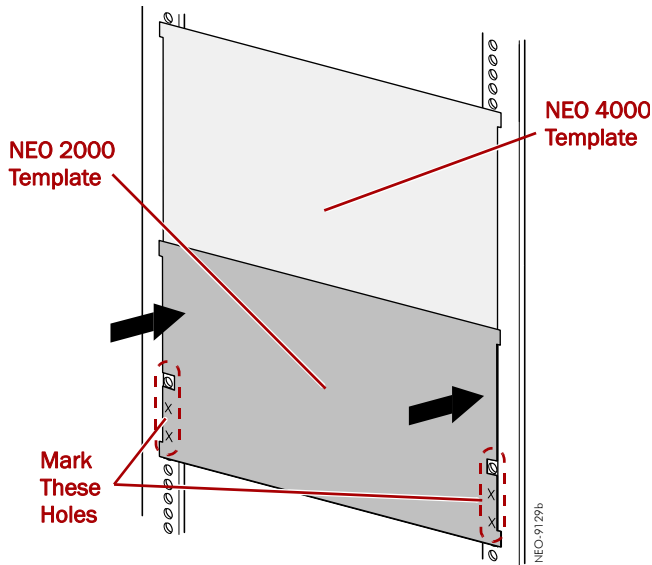


Figure 4. Using the NEO Templates

- Match up the **hole pattern** indicated on the sides of the template with the hole pattern in the rack.
 - Use the template to **mark** the six mounting holes.
 - Remove the **template**.
- Repeat [Step 2](#) at the **rear** using the four bottom holes.



CAUTION: Be sure rear holes are horizontally in line with the front holes so the unit remains level.

- Using four screws, loosely attach each pre-assembled rail set (Figure 5):
 - Tapped-Hole Rack**—Position each rail with the brackets **outside** the vertical rack member.
 - Untapped-Hole Rack**—Install the clip nuts on the inside of the front and back mounting brackets of the rails and position each rail with the brackets **inside** the vertical rack member.

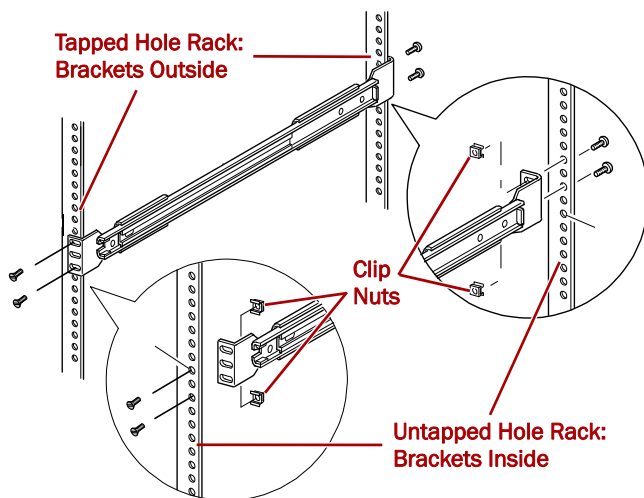


Figure 5. Installing Slide Member Fasteners

- Tighten the **screws** on both **rear** brackets.
- Slide out the **middle slide** members until they lock at the front of the rail assembly.

Library Installation

Use the following instructions to insert your library into a RETMA rack (Figure 6):

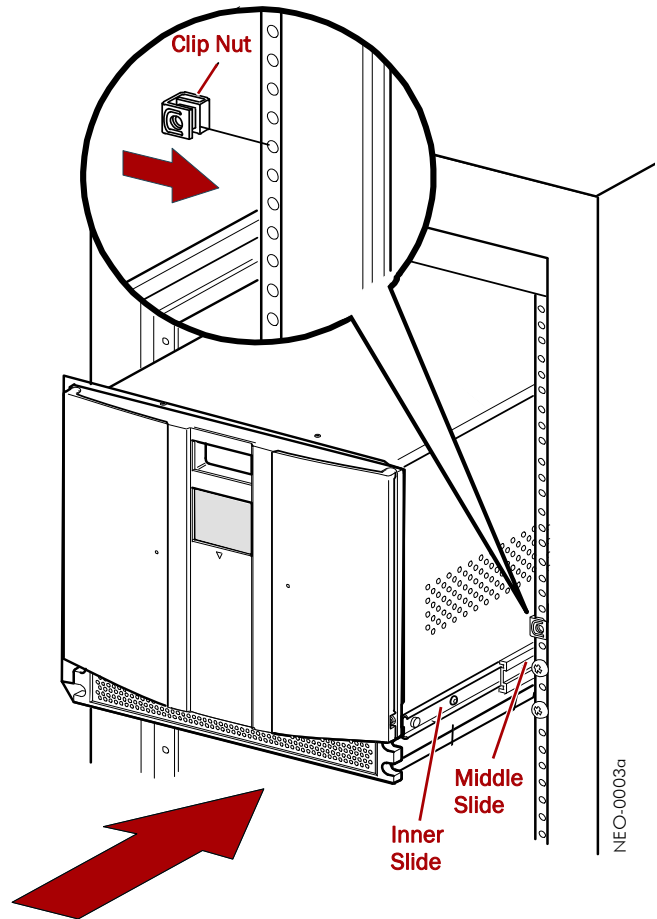


Figure 6. Installing The Library Module

- Install the two **clip nuts** on each front rail at the marked spot.
- Lighten the library by removing the **power supplies and drives** at the rear.
- Using a mechanical lift, **raise the unit and align** the inner slides on the unit with the rack middle slides.
- With the middle slide **ball bearings** at the front detent position, fully insert the inner slides.
- Slide library completely into rack until **front panel** touches the rack.
- Remove and discard the **tape and packing materials** from the doors, leaving them **open**.
- Using the two captive **thumbscrews** (Figure 7 on [page 3](#)), attach unit to rack.
- If removed, re-insert the **power supplies and drives** into the rear of the chassis.
- Tighten all the **front rail screws**.

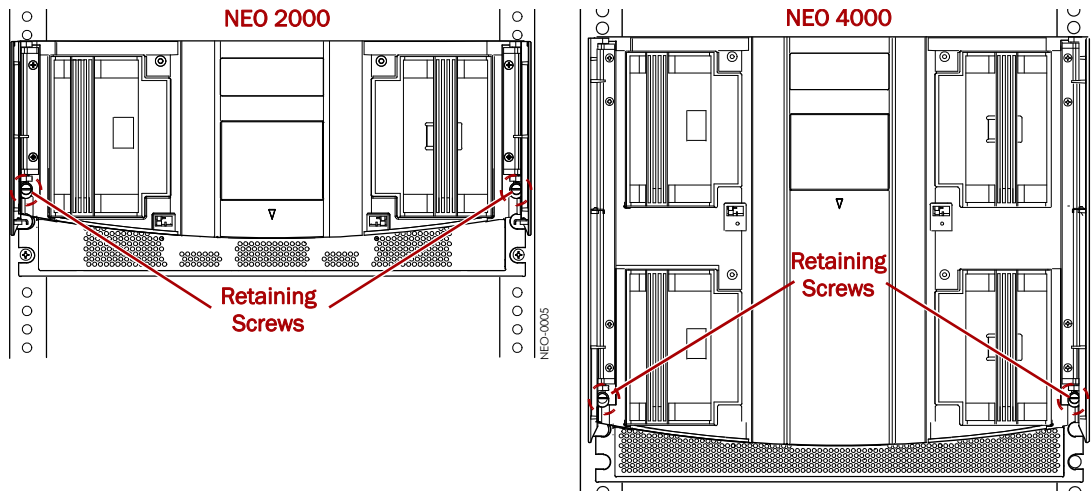


Figure 7. Library Retaining Screws

Cabling

IMPORTANT: For more cabling options, refer to the user guide found on the enclosed Documentation & Software CD or contact Overland Support.

SCSI Cabling Example: 2 Drives, 2 Hosts

NOTE: To maximize drive performance, it is recommended that LTO-3 or newer drives be on separate buses.

Figure 8 shows a typical SCSI cable configuration for a library with two tape drives connected to two different bus adapters or hosts.

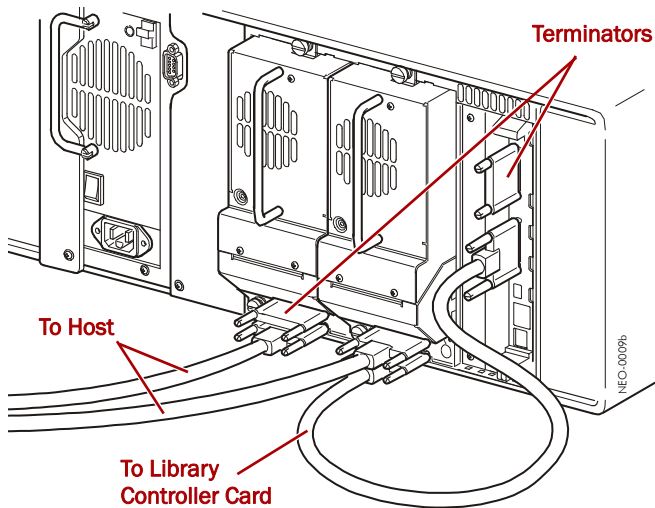


Figure 8. Two Tape Drives, Dual Hosts

IMPORTANT: The short jumper cable is designed specifically for use between drives. Stretching it to reach the library controller card can damage the cable. Use the longer supplied cable to connect the library controller card.

FC Cabling Example: 2 Drives on FC Network

CAUTION: Use only Ultra 320 (SCSI SPI-4) compliant cables and terminators when connecting SCSI devices to the FC03 card. Also, use minimal cable lengths when connecting NEO library SCSI devices with the FC03 card.

NOTE: An FC03 card is required to connect a NEO SERIES library to a Fibre Channel (FC) network. Either FC or SCSI drives can be used. For optimum performance, it is recommended that only two SCSI drives be connected to each FC03 card, one per SCSI bus.

When using FC drives on an FC network, slightly different cabling is required (Figure 9). In this case, the FC drives connect directly to the FC switch while the NEO SERIES library is connected via an FC03 card.

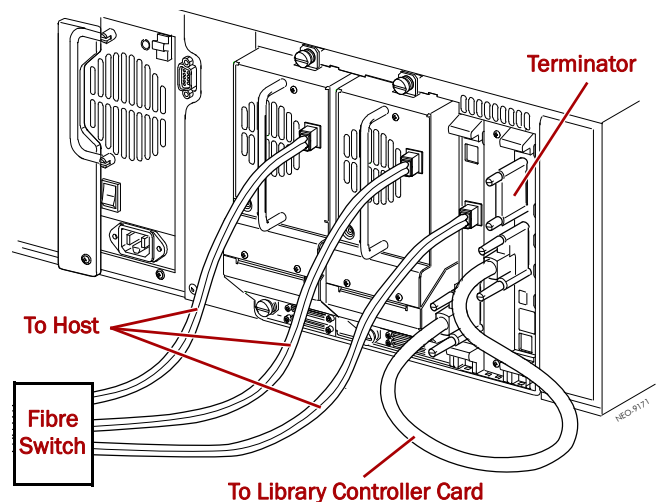


Figure 9. FC Drive Library on an FC Network

Power Up the Library

1. Connect the supplied **power cords** to AC receptacles located on the back of the library module (Figure 10).
2. Toggle the power switches to the **ON** position (“|”).
3. Touch the **GUI touch screen** to activate the display and turn the library module ON.

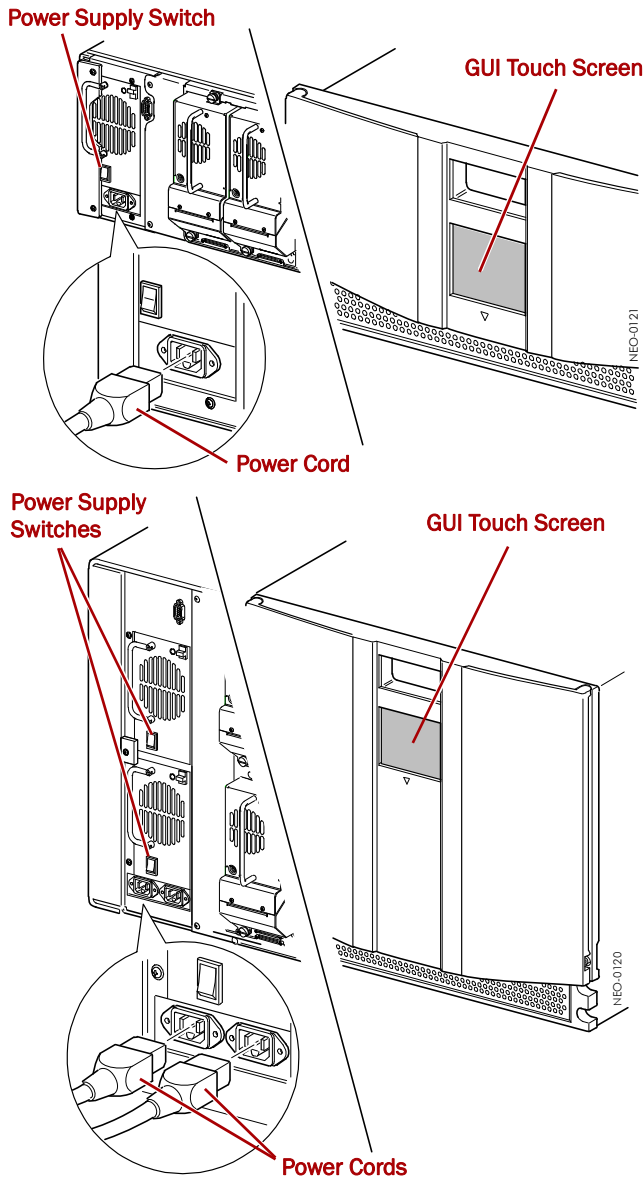


Figure 10. Powering Up NEO SERIES Library Module

Basic Configuration and Setup

NEO SERIES libraries come designed to work with the majority of backup applications without having to make changes to the default configuration. The tape drives come with preconfigured SCSI IDs where “Drive n = SCSI ID n .”

Depending on your network configuration, it may be necessary to change the unit’s SCSI IDs:

1. Press **Menu** > **SCSI/FC**.
2. Press the **Drive 1 Bus ID** data field on the right.
3. Using the keyboard, enter the new **SCSI ID number**.
4. Press **Save**, and then press **OK** to confirm.
5. Repeat Steps **Steps 1–4** for the **other drives**.
6. When done, press **Back** twice to return to the default menu.

Firmware Minimums

CAUTION: If the NEO library firmware is lower than the version shown, it must be upgraded to support FC drives.

Table 1: FC Drive Type Firmware Minimums

Drive Type	NEO 8000 Minimum FW	NEO 2000/4000 Minimum FW
LTO-3	4.03	5.08
LTO-4	5.02	6.02

Remote Access

The NEO Libraries come preconfigured for DHCP. To remotely access the unit for additional configuration, check **Menu** > **Network** from the GUI or contact your network administrator for the IP address.

IMPORTANT: It is recommended that the library IP address be changed to a static IP address to facilitate easier access remotely. Refer to your user guide for details.

Additional Help

You can get additional technical support on the Internet at <http://support.overlandstorage.com>, or call 1-877-654-3429 (toll-free U.S. & Canada), +44 (0) 118-9898050 (Europe), or +1 (858) 571-5555 Option 5 (International).